



MX440-G RGB

Tempered Glass Mid Tower with Sturdy and Solid Style

MX440-G RGB's design has continued COUGAR's iconic sturdy and solid style. With included three ARGB fans, the tempered glass front panel showcases stunning lighting view. Besides, it has wide and powerful interior spaces, which allows you to have hardware expandability, high cooling performance, and abundant storage space.



Strength and Sturdy

MX440-G RGB's front panel features bold lines and rugged structures. It is the chassis that brings the new concept of strength and sturdy to the gaming world. Moreover, the tempered glass front panel allows internal lighting to create mesmerizing effects.



Massive Tempered Glass Left Panel

With the full-length PSU cover hides cables and a massive tempered glass left panel presents a clean and tidy build, you can easily build a pro-level system.



Wider but More Compact and Powerful

MX440-G RGB's 215mm width allows much larger interior space with better cooling performance and cable management. However, its compact exterior dimension takes up less desktop space. MX440-G RGB can surely fit a full-sized ATX Motherboard, 320mm-length Graphic card, four 2.5" SSDs, and two 3.5" HDDs, which allow you to achieve the extreme operation and abundant storage space.

215 mm



Incredible RGB Lighting

MX440-G RGB comes with 3 ARGB fans. You are freely to control several amazing lighting effects that we have preset for you with the dedicated RGB button.



* Top fans and radiators are optional, specifications might vary depending on the country or region of sale.

Sufficient for Multiple USB Devices

The top panel is equipped with two USB 3.0 ports and two USB 2.0 ports, let you easily connect multiple peripheral devices and accessory charging. Not only optimize your processing experiences, but also keep all USB devices without limitations.





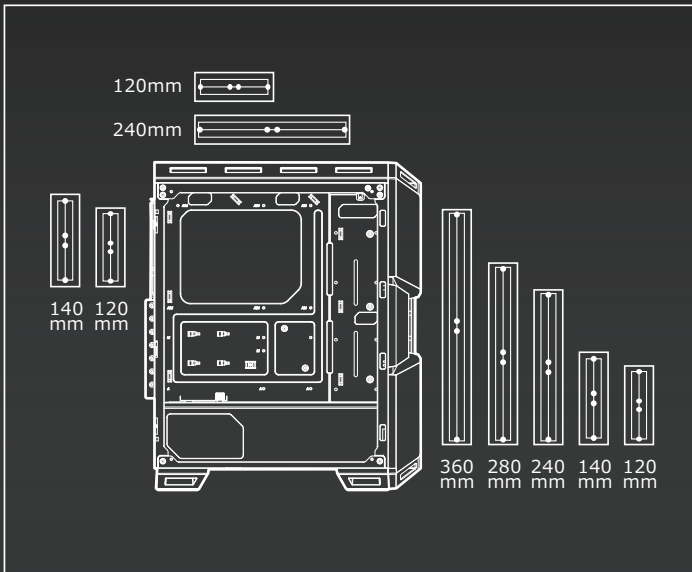
MX440-G RGB

Tempered Glass Mid Tower with Sturdy and Solid Style

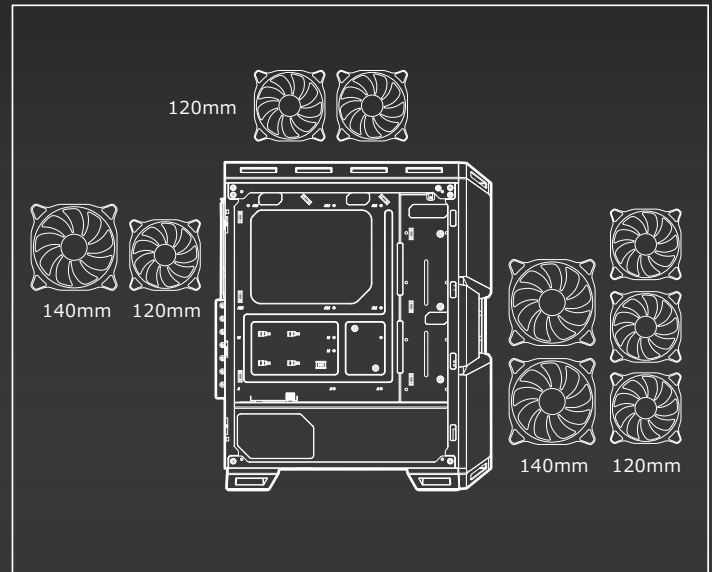
Strong Cooling Performance

MX440-G RGB's interior space supports up to 170mm height CPU air cooler, a 360mm water cooling radiator, and high-end cooling components. It helps you to protect critical components from overheating.

Water cooling radiator support



Air cooling support



SPECIFICATIONS

Model No.	CGR-56C2B-G-RGB	Water Cooling Support	Front : 360mm / 280mm / 240mm / 140mm / 120mm Top : 240mm / 120mm Rear : 140mm / 120mm
Case Type	Mid Tower	Cooling Fan Support	Front : 120mm x 3 / 140mm x 2 (120mm ARGB Fans x 3 pre-installed) Top : 120mm x 2 Rear : 120mm x 1 / 140mm x 1
Motherboard Type	Mini ITX / Micro ATX / ATX	Maximum Number of Fans	6 Max.
Dimension (WxHxD)	215 x 505 x 424 (mm) / 8.5 x 19.9 x 16.7 (in)	Max. Graphics Card Length	320 (mm) / 12.6 (in) * Horizontal graphics card slots are compatible with RTX 3090/3080/3070.
Case Drive Bays	3.5" : 2 2.5" : 4 + 1 (converted from 3.5" drive bays) / (2 SSD trays included)	Max. CPU Cooler Height	170 (mm) / 6.7 (in)
I/O Panel	USB 3.0 x 2, USB 2.0 x 1, Mic x 1 / Audio x 1, RGB Button	Transparent Left Panel	4mm Tempered Glass
Expansion Slots	7		
Max. PSU Length	150 (mm) / 5.9 (in)		

PACKING DATA

Product Name	MX440-G RGB	Individual Size W/O Packaging Weight (N.Weight)	6.29 (kg)
Product Number (P/N)	3856C20.0001	Individual Packaging Weight (G.Weight)	7.74 (kg)
EAN CODE	4710483771293	Individual Size W/O Packaging (WxHxD)	215 x 505 x 424 (mm) / 8.5 x 19.9 x 16.7 (in)
UPC CODE	192554002453	Individual Packaging Size (WxHxD)	287 x 572 x 486 (mm) / 11.3 x 22.51 x 19.13 (in)
JAN CODE	4541995034916		



MX440

COMPARISON



	MX440-A	MX440 Mesh RGB	MX440-G RGB
Model No.	CGR-56C3B-A	CGR-56C1B-MESH-RGB	CGR-56C2B-G-RGB
Front Panel	Plastic with Brushed Metal-like Finish	Mesh	Tempered Glass
I/O Panel	Type C 3.1 x 1, USB 3.0 x 2, Mic x 1 / Audio x 1, Reset Button	USB 3.0 x 2, USB 2.0 x 1, Mic x 1 / Audio x 1, RGB Button	
Pre-installed Fans	Front	120mm ARGB Fans x 3	
	Rear	120mm ARGB Fan x 1	-
Transparent Left Panel	4mm Tempered Glass		